

K1100E-A

- HOOD TYPE DISHWASHER KORAL BASKET 50x50 DET. AND RINSE-AID
DISPENSER, ETL/CSA - V230-1 + 1309



(print on 22/01/2021)

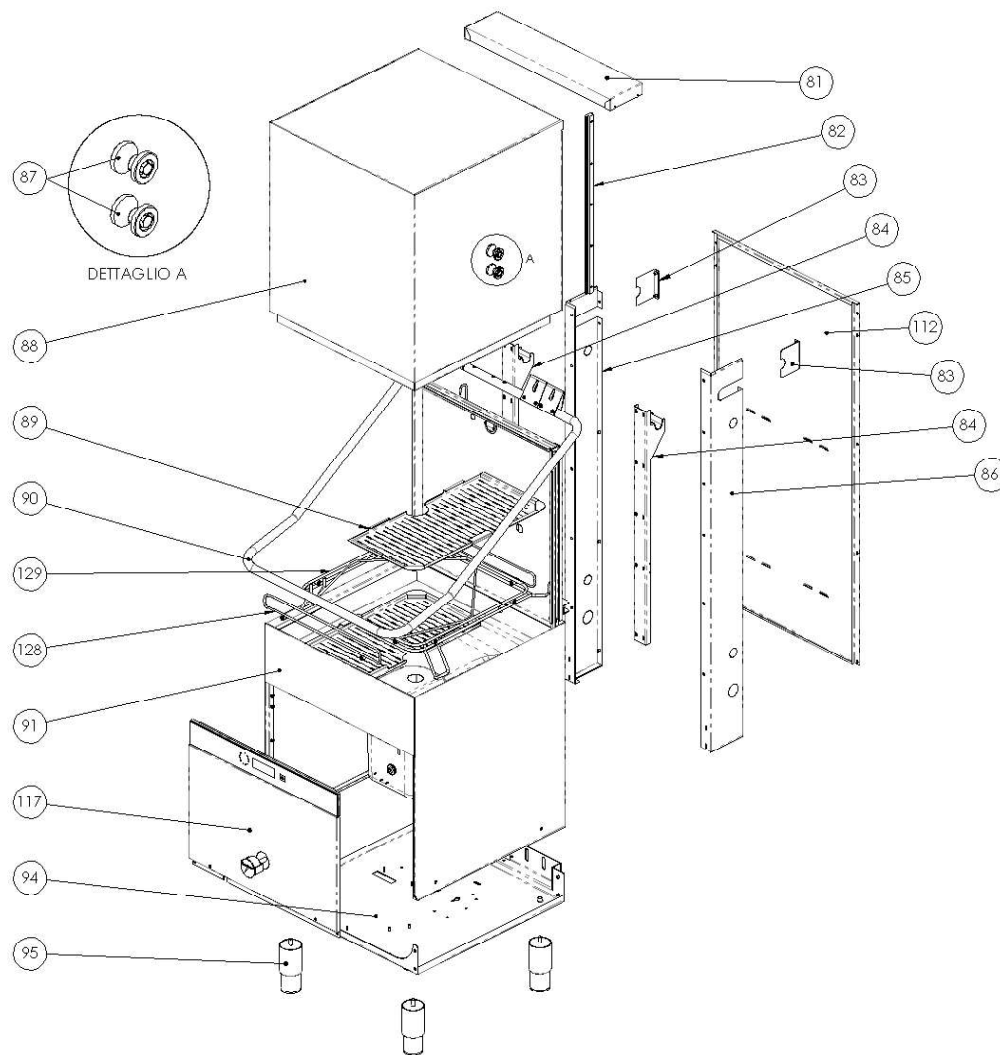


K1100E-A

- HOOD TYPE DISHWASHER KORAL BASKET 50x50 DET. AND RINSE-AID
DISPENSER, ETL/CSA - V230-1 + 1309



(print on 22/01/2021)



N	ITEM
81	1200521
82	1201046
83	1201003
84	1202081
85	1202086
86	1202087
87	1202040
88	1200545
89	1201011
90	1201002
91	1202008
94	1202088
95	1000093
112	1200525
128	1201072
129	1200575

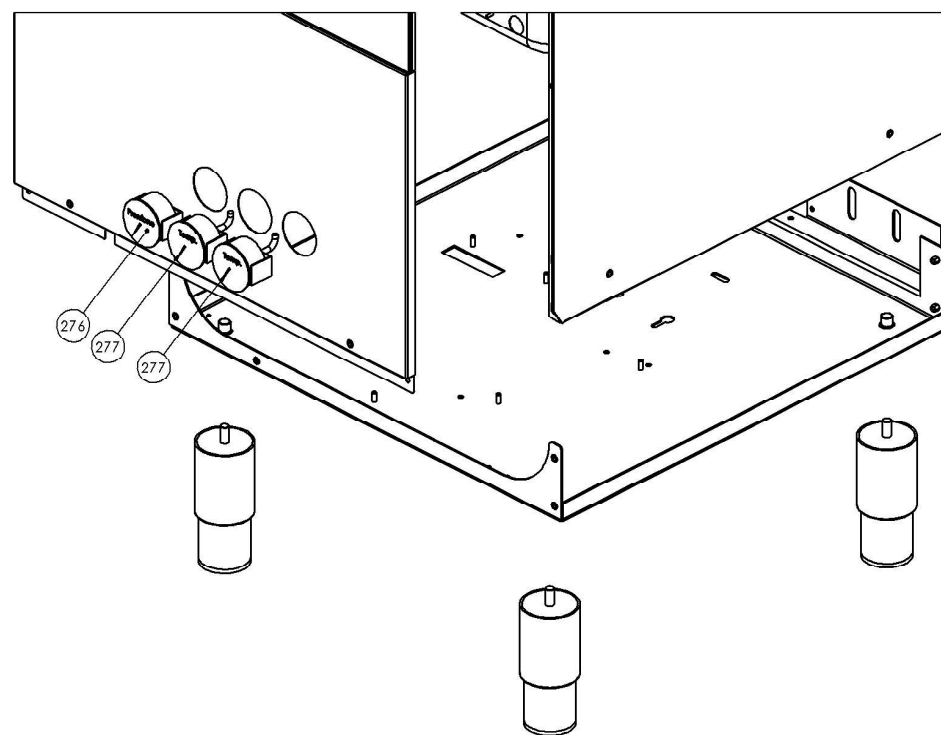
K1100E-A

- HOOD TYPE DISHWASHER KORAL BASKET 50x50 DET. AND RINSE-AID
DISPENSER, ETL/CSA - V230-1 + 1309



(print on 22/01/2021)

N	ITEM
276	103358

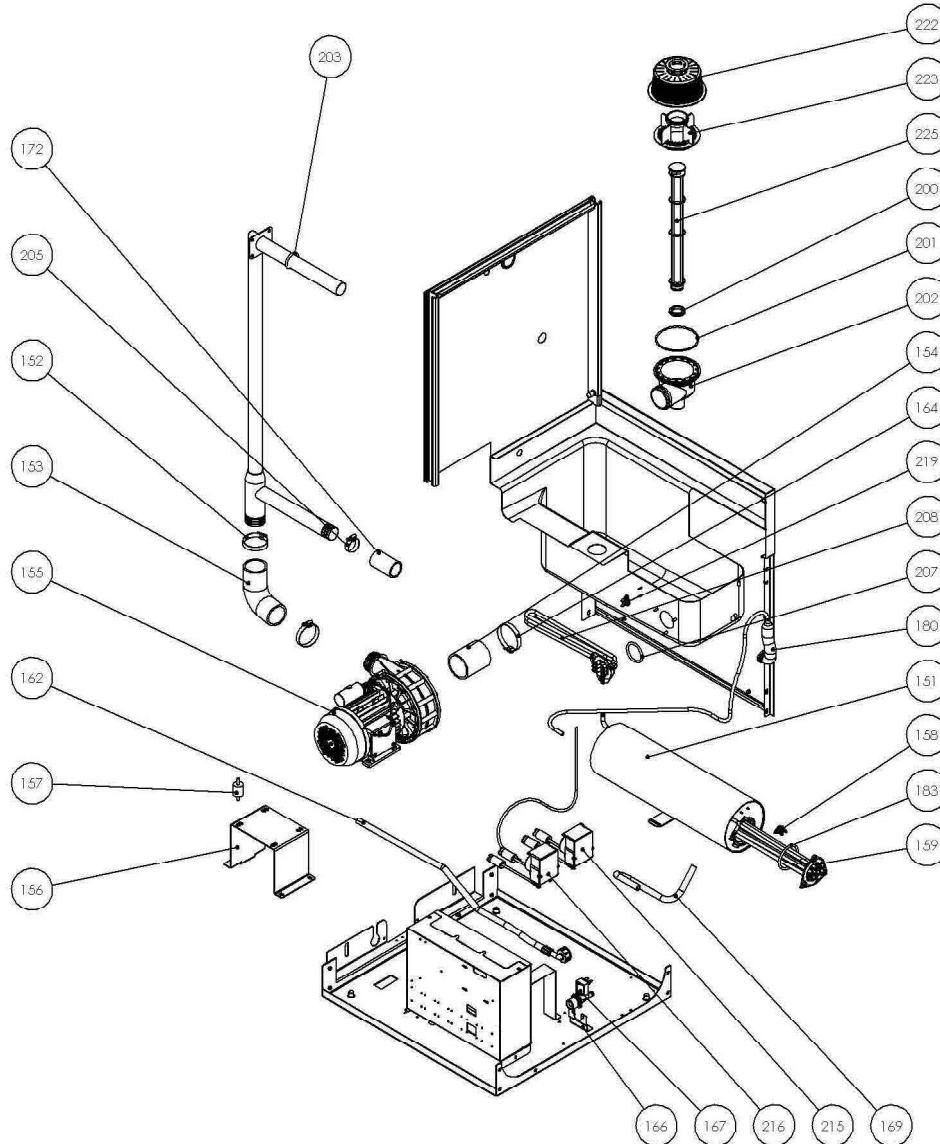


K1100E-A

- HOOD TYPE DISHWASHER KORAL BASKET 50x50 DET. AND RINSE-AID
DISPENSER, ETL/CSA - V230-1 + 1309



(print on 22/01/2021)



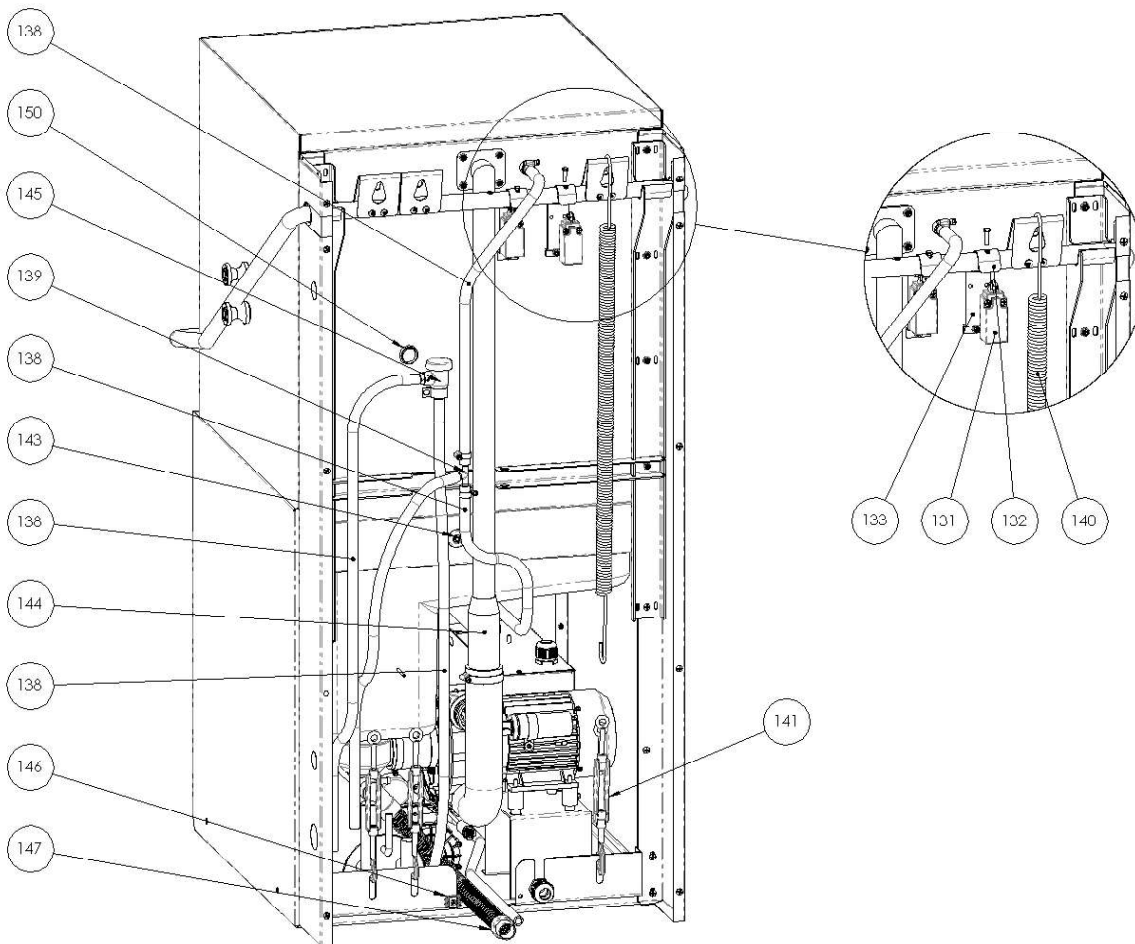
N	ITEM
151	1200423
152	560
153	1200706
154	106070
155	6502UL
156	1202084
157	182
158	103349
159	103433
162	1309
164	570
166	4325
167	103378
169	1381
172	103543
180	3283
183	103435
200	104465
201	104445
202	104440
203	1202066
205	515
208	103453
215	1240K
216	1241K
219	103348
222	104454
223	104451
225	104462
233	110
234	117
236	3285

K1100E-A

- HOOD TYPE DISHWASHER KORAL BASKET 50x50 DET. AND RINSE-AID
DISPENSER, ETL/CSA - V230-1 + 1309



(print on 22/01/2021)



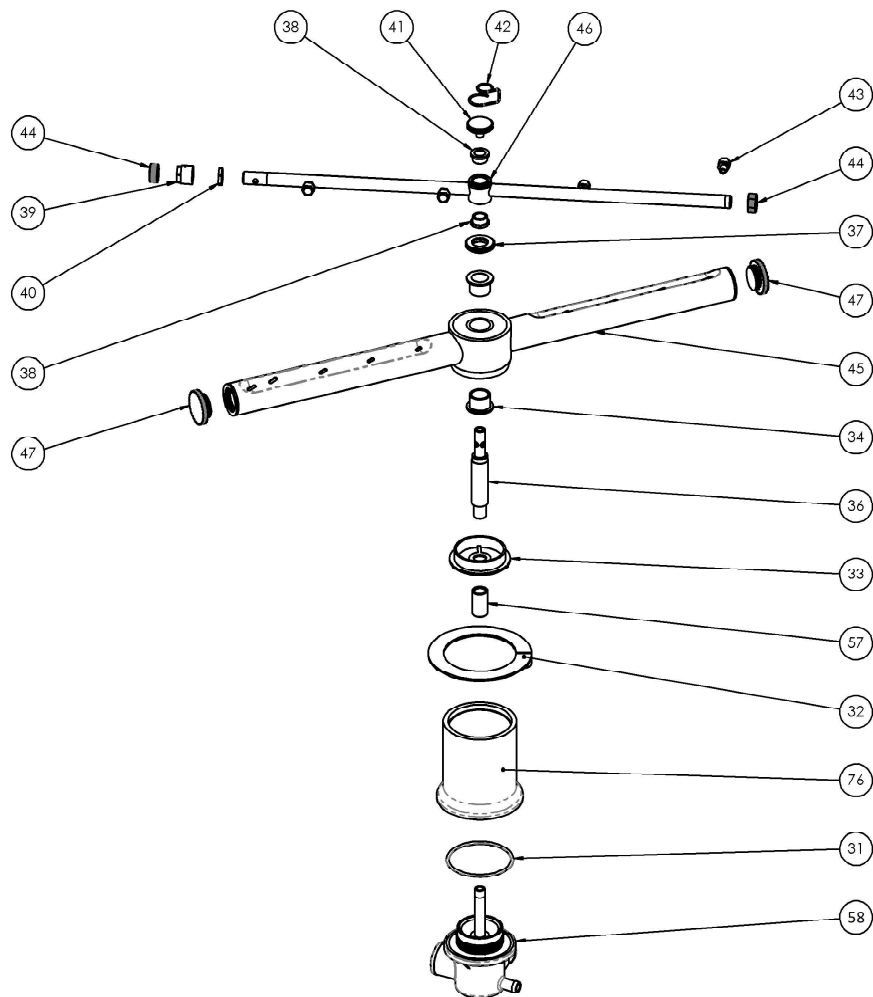
N	ITEM
133	1201004
136	253
138	1380
140	1203030
141	1203060
143	1347
144	1202065
145	103365
146	103555
147	1335
150	104025

K1100E-A

- HOOD TYPE DISHWASHER KORAL BASKET 50x50 DET. AND RINSE-AID
DISPENSER, ETL/CSA - V230-1 + 1309



(print on 22/01/2021)



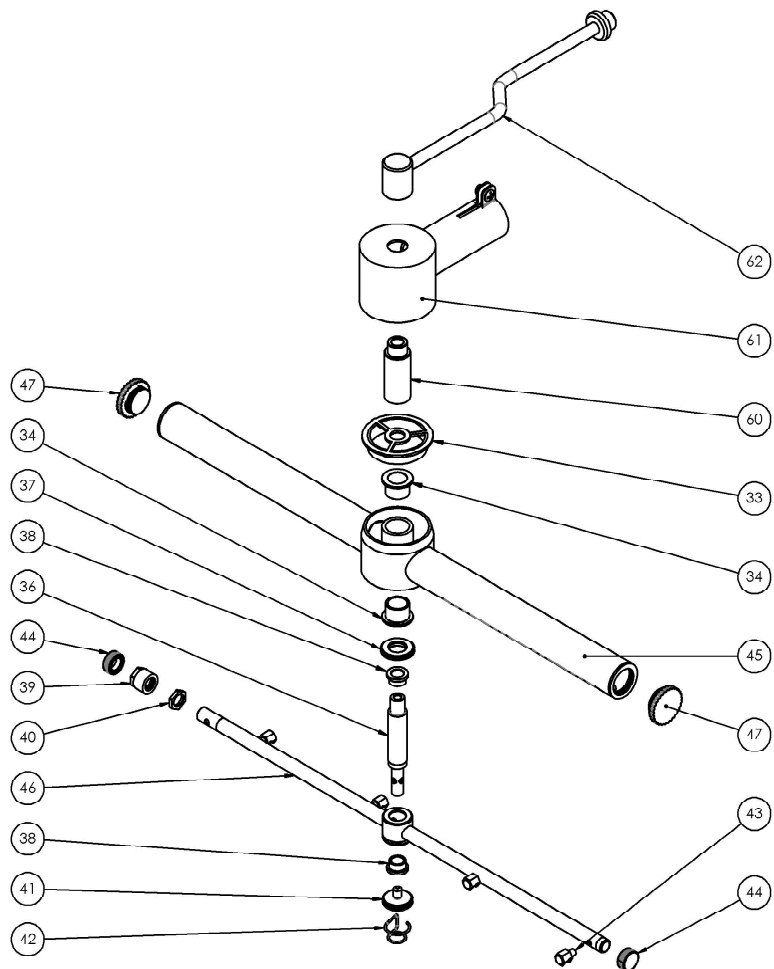
N	ITEM
31	104405
32	104139
33	104420
34	104110
36	104072
37	104050
38	104100
39	104017
40	104015
41	104040
42	1415
43	104000
44	104016
45	1250869
46	800801
47	104014
57	104407
58	104415
59	104402
60	104075
61	985145
62	104348
76	104401

K1100E-A

- HOOD TYPE DISHWASHER KORAL BASKET 50x50 DET. AND RINSE-AID
DISPENSER, ETL/CSA - V230-1 + 1309



(print on 22/01/2021)



N	ITEM
31	104405
32	104139
33	104420
34	104110
36	104072
37	104050
38	104100
39	104017
40	104015
41	104040
42	1415
43	104000
44	104016
45	1250869
46	800801
47	104014
57	104407
58	104415
59	104402
60	104075
61	985145
62	104348
76	104401

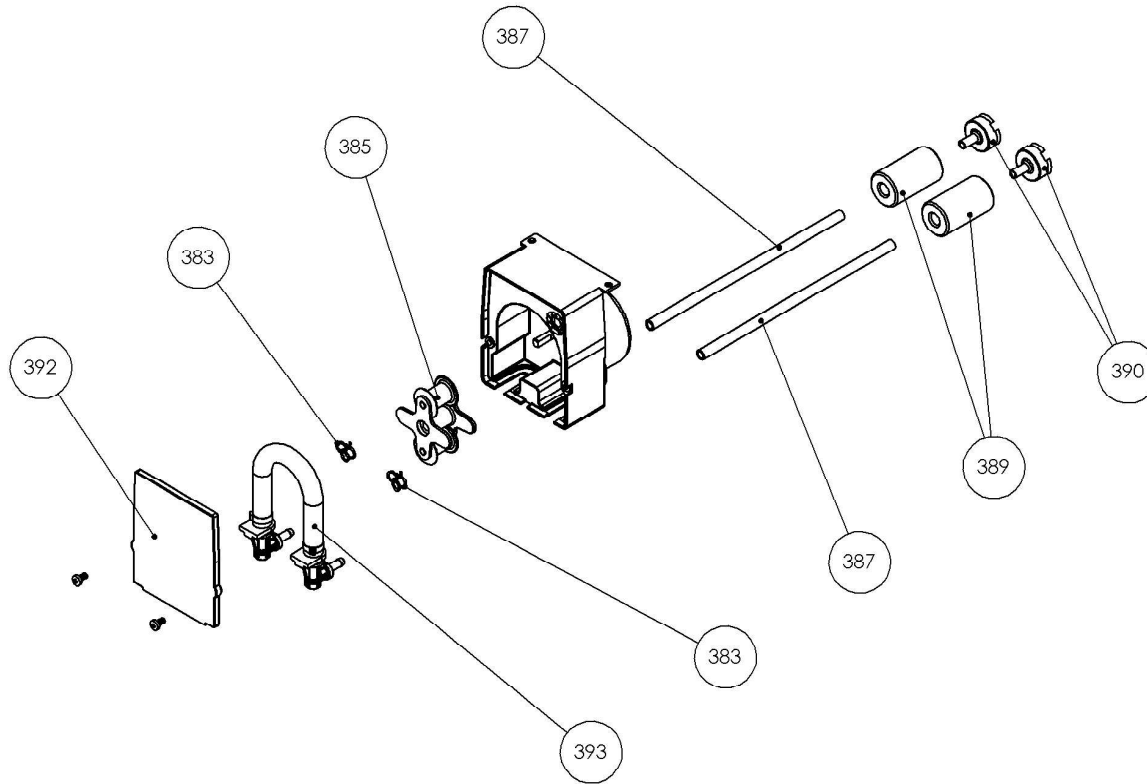
K1100E-A

- HOOD TYPE DISHWASHER KORAL BASKET 50x50 DET. AND RINSE-AID
DISPENSER, ETL/CSA - V230-1 + 1309



(print on 22/01/2021)

N	ITEM
383	503
385	1211B
387	1420
389	1215
390	1218
392	1242
393	1219



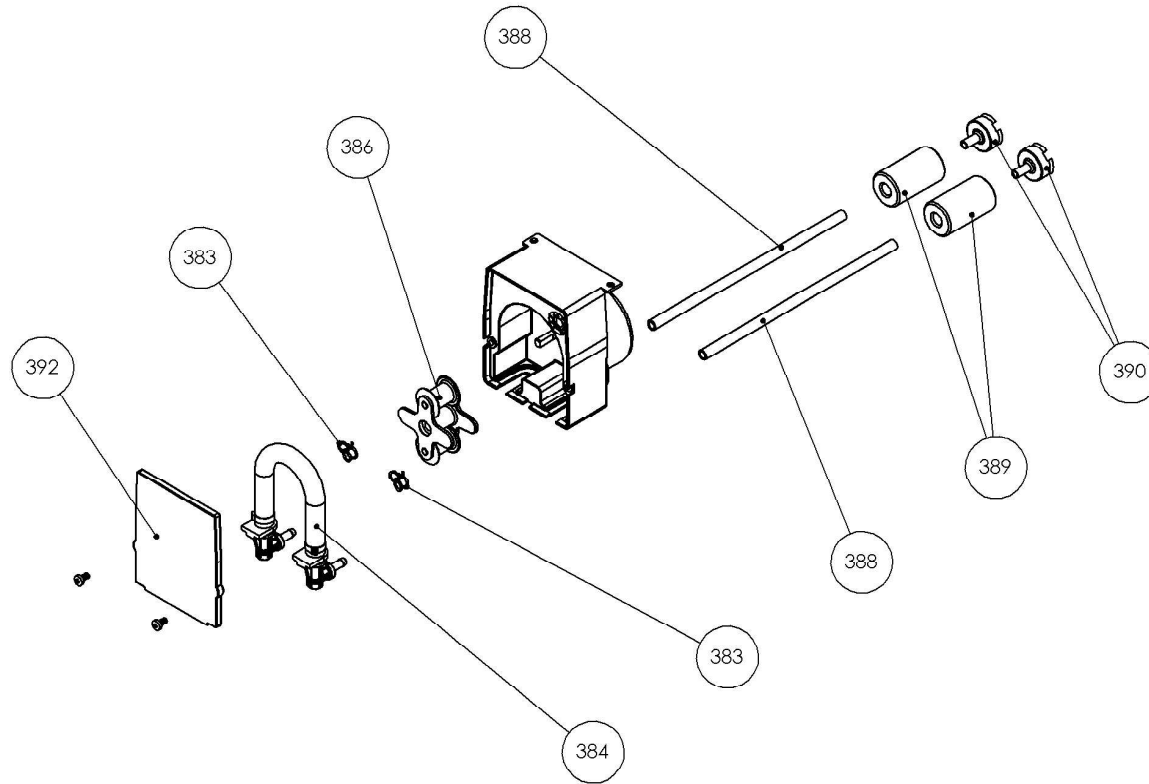
K1100E-A

- HOOD TYPE DISHWASHER KORAL BASKET 50x50 DET. AND RINSE-AID
DISPENSER, ETL/CSA - V230-1 + 1309



(print on 22/01/2021)

N	ITEM
383	503
384	1217
386	1211A
388	1421
389	1215
390	1218
392	1242

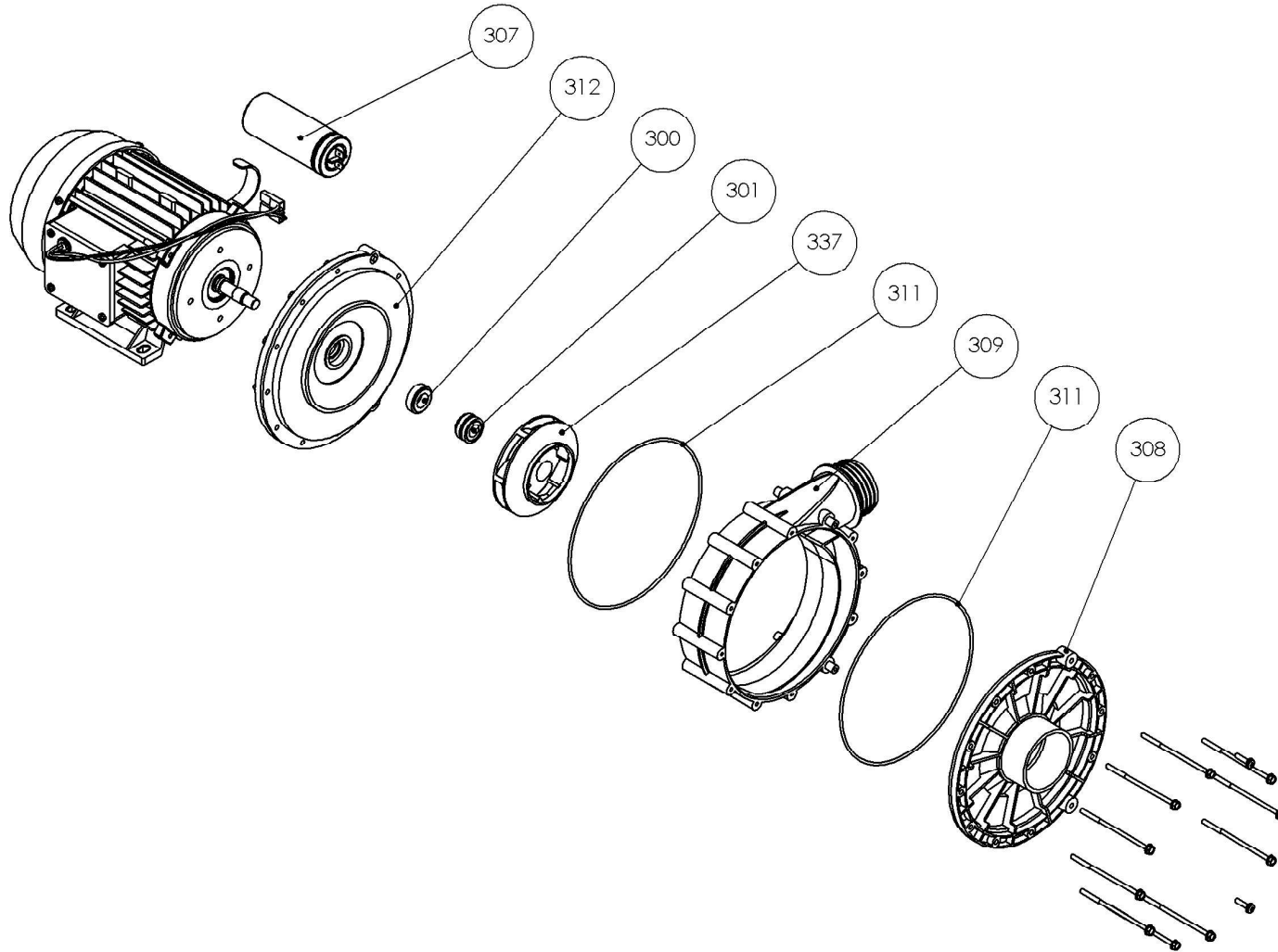


K1100E-A

- HOOD TYPE DISHWASHER KORAL BASKET 50x50 DET. AND RINSE-AID
DISPENSER, ETL/CSA - V230-1 + 1309



(print on 22/01/2021)



N	ITEM
300	6018
301	6014
307	6515
308	6809
309	6810
311	6812
312	6813
337	6516

K1100E-A

- HOOD TYPE DISHWASHER KORAL BASKET 50x50 DET. AND RINSE-AID
DISPENSER, ETL/CSA - V230-1 + 1309



N	ITEM	DESCRIPTION (ENG)	N	ITEM	DESCRIPTION (ENG)
2.81	1200521	STAINLESS STEEL TOP FOR REAR PANEL	4.219	103348	SAFETY THERMOSTAT 80°C 16A MANUAL RESET
2.82	1201046	SLIDING GUIDE IN BLACK PEHD	4.222	104454	SUCTION EXTERNAL FILTER FOR DISHWASHER Ø130
2.83	1201003	SIDE CLAMP FOR CLOSING HANDLE	4.223	104451	SLEEVE FOR SUCTION-DRAIN GROUP FOR DISHWASHER Ø115
2.84	1202081	DOOR HANDLE FIXING STRINGER	4.225	104462	OVERFLOW PIPE FOR HOOD TYPE DISHWASHERS (WITHOUT GASKET)
2.85	1202086	RIGHT PROFILE FOR REAR PANEL	4.233	110	KNURLED FLANGED STAINLESS STEEL NUT M5
2.86	1202087	RIGHT PROFILE FOR REAR PANEL	4.234	117	STAINLESS STEEL SCREW M5X12 T1/2T+
2.87	1202040	PVC CYLINDER FOR SLIDING THE HANDLE	4.236	3285	PIPE FOR AIR TRAP
2.88	1200545	HOOD FOR DISHWASHER BASKET 50x50	5.133	1201004	MICROSWITCH HOLDING BRACKET
2.89	1201011	STAINLESS STEEL INTEGRAL TANK FILTER	5.136	253	SCREW M8X40 TE INOX
2.90	1201002	STAINLESS STEEL HANDLE	5.138	1380	RUBBER HOSE 10X17 120°C AT A METER Calorwater 10 Bar 120°C LL
2.91	1202008	STAINLESS STEEL TANK	5.140	1203030	DRAFT SPRING FOR HOOD WIRE 6,5
2.94	1202088	STAINLESS STEEL BASE	5.141	1203060	TIE ROD WITH HOOK AND LOOP M8
2.95	1000093	ADJUSTABLE STAINLESS STEEL FOOT Ø60 H=15-21cm	5.143	1347	RUBBER CAP Ø17
2.112	1200525	EXTERNAL REAR PANEL 1100-1200	5.144	1202065	WASHING COLUMN FOR 1200
2.128	1201072	SIDE GUIDE/HOLDER FOR BASKET 490x50	5.145	103365	VALVOLA VACUUM BREAKER LF288A 3/8
2.129	1200575	BASKET HOLDER IN POLISHED WIRE FOR HOOD TYPE DISHWASHER	5.146	103555	EQUIPOTENTIAL CLAMP
3.276	103358	PRESSURE GAUGE 0-60psi / 0-400kPa	5.147	1335	DRAIN PIPE L=2mt WITH BEND Ø24-28mm
4.151	1200423	STAINLESS STEEL BOILER FOR HOOD TYPE MACHINES -UL	5.150	104025	TAPPO FORO 3/4
4.152	560	STAINLESS STEEL STRIPS 59-63	6.31	104405	GASKET OR PLASTIC GROUP Ø60 Sp.2,62 NBR70°
4.153	1200706	RUBBER FLOW SLEEVE Ø50x60	6.32	104139	STAINLESS STEEL RING Ø70,5
4.154	106070	RUBBER HOSE RADIATOR Ø60x70	6.33	104420	PLASTIC UNIT FIXING RING NUT
4.155	6502UL	WASH MOTOR PUMP 1,5 HP T150 - MOTOR ROTOR 90° FOR 1100	6.34	104110	LARGE CARBON GRAPHITE BUSH Ø26 MM
4.156	1202084	SUPPORT FOR 6502-8801 PUMP MOTOR	6.36	104072	STAINLESS STEEL PIVOT FOR POTWASHER WASH ARM
4.157	182	ANTI-VIBRATION 2M 60 SH 25x30mm M6x18	6.37	104050	KNURLED STAINLESS STEEL NUT M15x1
4.158	103349	SAFETY BOILER THERMOSTAT 105°C 16A MANUAL RESET	6.38	104100	SMALL CARBON GRAPHITE BUSH Ø14,1mm G451 Ø18x10,30 H8,7
4.159	103433	BOILER HEATING ELEMENT 5400W 208V	6.39	104017	JET ADJUSTMENT Ø12 AISI303 Ø18x15 M12x1
4.162	1309	WATER ENTRY PIPE MT 2 PVC CORDPLAST W/GASKETS	6.40	104015	RING AISI303 ES16x3 M12x1
4.164	570	STAINLESS STEEL STRIPS 59-63	6.41	104040	STAINLESS STEEL KNURLED NUT
4.166	4325	HOLDING VALVE BRACKET	6.42	1415	KNURLED FIXING SPRING PLUG
4.167	103378	SOLENOID VALVE 180° COIL 230V-50/60Hz - UL	6.43	104000	STAINLESS STEEL RINSE JET AISI303 ES10X17
4.169	1381	RUBBER PIPE 8X15 120°C AL MT Calorwater 10 Bar 120°C LL	6.44	104016	CAP FOR PIPE Ø12 AISI303 Ø18x8 M12x1
4.172	103543	PUMP ENTRY RUBBER HOSE Ø35X43	6.45	1250869	GIRANTE INOX LAVAGGIO 1200 NSF
4.180	3283	AIR TRAP IN LOADED POLYPROPYLENE	6.46	800801	RINSE ARM MOD.1100 NSF
4.183	103435	OR HEATER 4,5-6-9-12 KW GASKET WITH FLANGE	6.47	104014	CAP FOR PIPE Ø32 AISI303 Ø34x11 M24x1
4.200	104465	GASKET FOR OVERFLOW PIPE NBR75 BLACK	6.57	104407	THREADED BUSHING F/F M10/M12x1 Ø15 L=26mm
4.201	104445	OR GASKET MANIFOLT 101,20x3,53 NBR70	6.58	104415	PLASTIC UNIT WITH PIVOT 52 AND CAP FOR NEW 1200
4.202	104440	SUCTION-DRAIN GROUP FOR DISHWASHER	6.59	104402	INSERT FOR PLASTIC FIXED BODY
4.203	1202066	OR GASKET Ø 35x5 NBR/70 SH. BLACK	6.60	104075	STAINLESS STEEL PIVOT Ø22 L=56 FOR STAINLESS STEEL GROUP FOR HOOD TYPE DIS
4.205	515	STAINLESS STEEL STRIP 30-45 W2B BAND 12	6.61	985145	GRUPPO INOX COLONNA LAVAGGIO 985
4.208	103453	TANK HEATING ELEMENT 4500W 208V	6.62	104348	STAINLESS STEEL CONNECTION FOR UPPER RINSE OF NEW 1200
4.215	1240K	ELECTRIC RINSE-AID PRODUCT DISPENSER + WEIGHT + FILTER + BACKFLOW VALVE	6.76	104401	PLASTIC FIXED BODY
4.216	1241K	ELECTRIC DETERGENT DISPENSER + WEIGHT + FILTER FOR ELECTRONIC DISHWASHERS	7.31	104405	GASKET OR PLASTIC GROUP Ø60 Sp.2,62 NBR70°

K1100E-A

- HOOD TYPE DISHWASHER KORAL BASKET 50x50 DET. AND RINSE-AID
DISPENSER, ETL/CSA - V230-1 + 1309



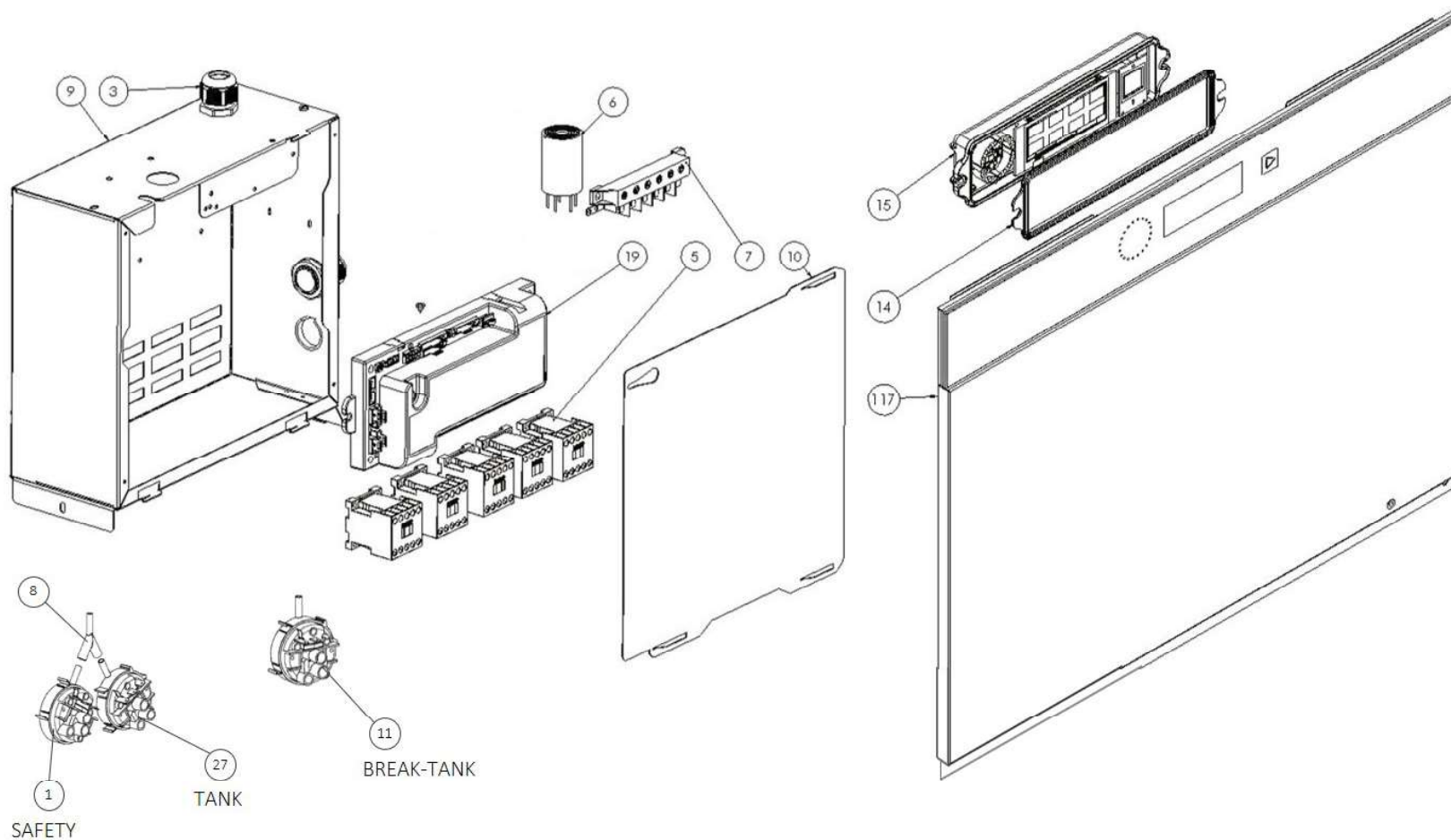
N	ITEM	DESCRIPTION (ENG)	N	ITEM	DESCRIPTION (ENG)
7.32	104139	STAINLESS STEEL RING Ø70,5	10.312	6813	PUMP MOTOR FLANGE HP 2,7 FOR PUMP 6502-8801-8900
7.33	104420	PLASTIC UNIT FIXING RING NUT	10.337	6516	PUMP MOTOR ROTOR HP 1,5
7.34	104110	LARGE CARBON GRAPHITE BUSH Ø26 MM			
7.36	104072	STAINLESS STEEL PIVOT FOR POTWASHER WASH ARM			
7.37	104050	KNURLED STAINLESS STEEL NUT M15x1			
7.38	104100	SMALL CARBON GRAPHITE BUSH Ø14,1mm G451 Ø18x10,30 H8,7			
7.39	104017	JET ADJUSTMENT Ø12 AISI303 Ø18x15 M12x1			
7.40	104015	RING AISI303 ES16x3 M12x1			
7.41	104040	STAINLESS STEEL KNURLED NUT			
7.42	1415	KNURLED FIXING SPRING PLUG			
7.43	104000	STAINLESS STEEL RINSE JET AISI303 ES10X17			
7.44	104016	CAP FOR PIPE Ø12 AISI303 Ø18x8 M12x1			
7.45	1250869	GIRANTE INOX LAVAGGIO 1200 NSF			
7.46	800801	RINSE ARM MOD. 1100 NSF			
7.47	104014	CAP FOR PIPE Ø32 AISI303 Ø34x11 M24x1			
7.57	104407	THREADED BUSHING F/F M10/M12x1 Ø15 L=26mm			
7.58	104415	PLASTIC UNIT WITH PIVOT 52 AND CAP FOR NEW 1200			
7.59	104402	INSERT FOR PLASTIC FIXED BODY			
7.60	104075	STAINLESS STEEL PIVOT Ø22 L=56 FOR STAINLEASS STEEL GROUP FOR HOOD TYPE DIS			
7.61	985145	GRUPPO INOX COLONNA LAVAGGIO 985			
7.62	104348	STAINLESS STEEL CONNECTION FOR UPPER RINSE OF NEW 1200			
7.76	104401	PLASTIC FIXED BODY			
8.383	503	STAINLESS STEEL STRIP ALL 6-6,7			
8.385	1211B	INNER ROLLER FOR ELECTRIC RINSE-AID DISPENSER			
8.387	1420	BLUE TUBE 6X4 MM FOR RINSE-AID			
8.389	1215	WEIGHT FOR DISPENSER SUCTION PIPE			
8.390	1218	FILTER FOR DISPENSER SUCTION PIPE			
8.392	1242	PLEXIGLASS FOR DOSER 1240K			
8.393	1219	SILICON TUBE FOR ELECTRIC RINSE-AID DISPENSER RACC.90° WITH NON-RETURN VALV			
9.383	503	STAINLESS STEEL STRIP ALL 6-6,7			
9.384	1217	SANTOPRENE TUBE FOR ELECTRIC DETERGENT DISPENSER 90° CONNECTION			
9.386	1211A	INNER ROLLER FOR DETERGENT DOSER			
9.388	1421	YELLOW PIPE 6X4 MM FOR DETERGENT			
9.389	1215	WEIGHT FOR DISPENSER SUCTION PIPE			
9.390	1218	FILTER FOR DISPENSER SUCTION PIPE			
9.392	1242	PLEXIGLASS FOR DOSER 1240K			
10.300	6018	HARD SILICON CARBIDES HOLD GASKET			
10.301	6014	ROTARY SEALING GASKET FOR WASH PUMP			
10.307	6515	CONDENSER 16µF POR MOTOR PUMP HP 1,2-1,5			
10.308	6809	FRONTAL SUCTION FLANGE Ø60 2,7 - 3,0 HP			
10.309	6810	PUMP VOLUTE HP 2,7 (centr.)			
10.311	6812	OR GASKET FOR WASH MOTOR PUMP HP 2,7			

K1100E-A

- LAVAPIATTI A CAPOTTA KORAL CESTO QUADRO 50x50 ELECTRONIC
ETL/CSA/NSF - V230-1 + 1309



Version n 3 - sn 202032603 - **** UNK110-A on board ***



N	ITEM
2	103616
3	103615
5	103390
7	103559
9	103607
10	103608
14	103879
15	103891K
16	103767
17	103765
18	103975
19	103801K
21	CAB115
27	103388
117	1200617
131	103550
225	VT142